

TYPE 54-1 SLIDE CARBURETTOR

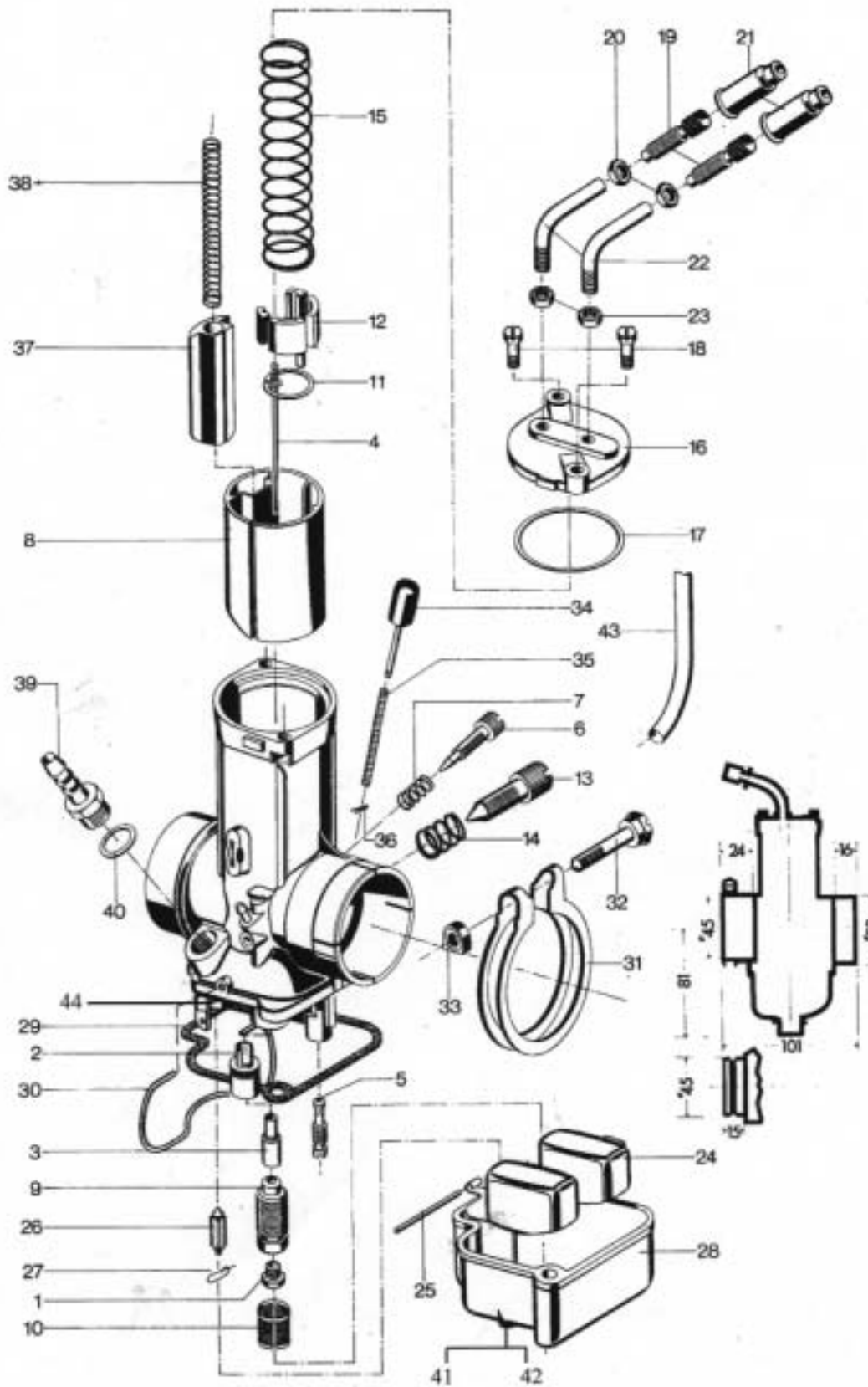


FIG #	DESCRIPTION
1	MAIN JET
2	ATOMIZER
3	NEEDLE JET
4	JET NEEDLE
5	IDLE JET
6	AIR SCREW
7	SPRING
8	AIR SLIDE
9	JET STOCK
10	SCREEN
11	CLIP
12	RETAINER
13	IDLE SPEED
14	SPRING
15	SLIDE SPRING
16	COVER
17	"O" RING
18	TOP SCREW
19	ADJUSTER
20	NUT
21	BOOT
24	FLOAT (black hinged)
24	FLOAT (white hinged)
24	FLOAT (independent)
25	PIVOT PIN
26	FLOAT NEEDLE
26	FLOAT NEEDLE
27	LOCK SPRING
28	FLOAT BOWL
29	BOWL GASKET
30	BOWL CLIP
31	CLAMP
32	BOLT
33	NUT
34	TICKLER
35	SPRING
36	PIN
37	CHOKE
38	SPRING
39	FUEL INLET
40	GASKET
41	BOWL PLUG
42	PLUG GASKET
44	FLOAT NEEDLE