

TYPE 84-2 SLIDE CARBURETTOR

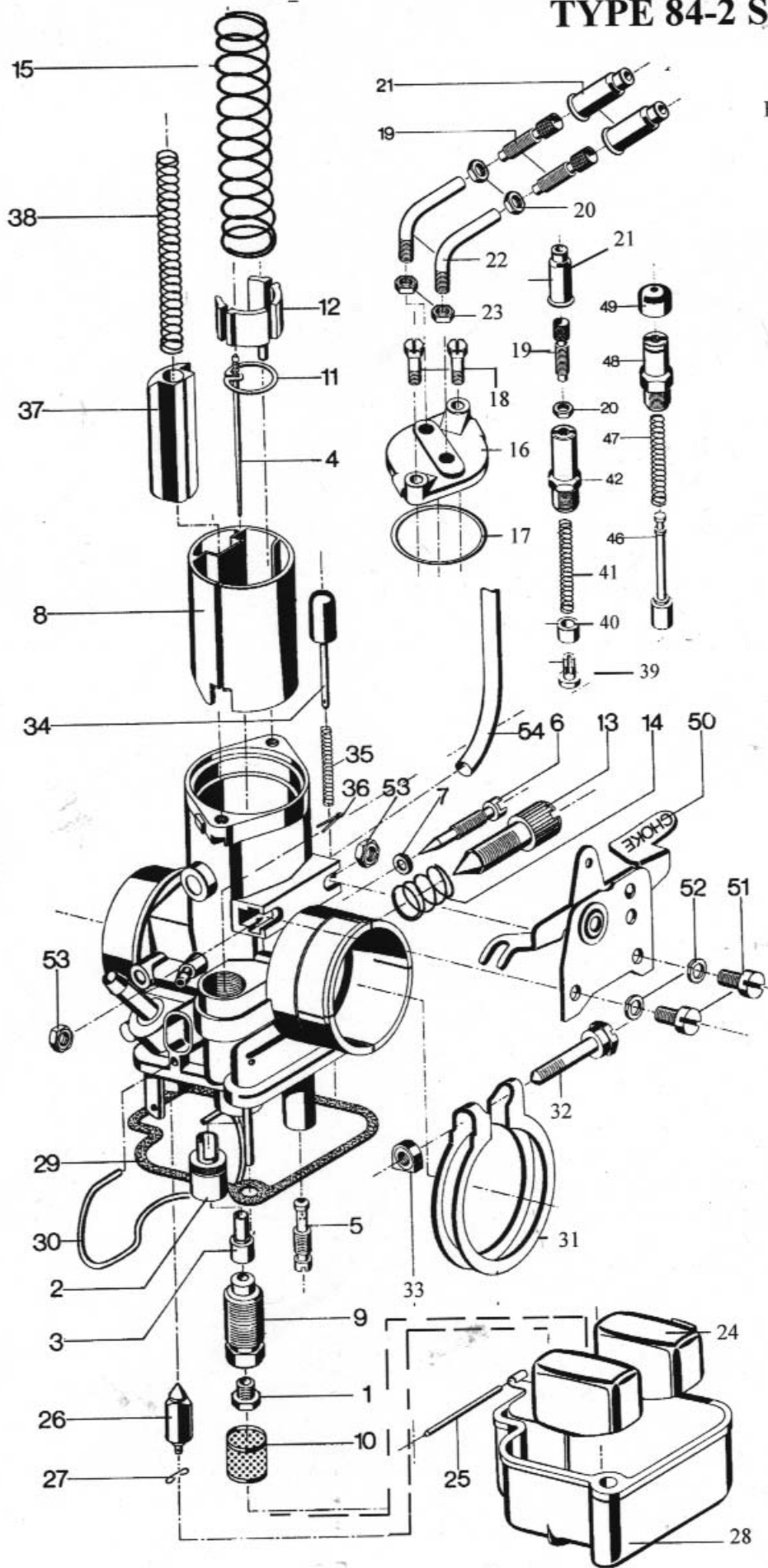


FIG #	DESCRIPTION
1	MAIN JET
2	ATOMIZER
3	NEEDLE JET
4	JET NEEDLE
5	IDLE JET
6	AIR SCREW
7	"O" RING
8	AIR SLIDE
9	JET STOCK
10	SCREEN
11	CLIP
12	RETAINER
13	IDLE SPEED
14	SPRING
15	SLIDE SPRING
16	COVER
17	"O" RING
18	SCREW
19	ADJUSTER
20	NUT
21	BOOT
22	CABLE GUIDE
23	NUT
24	FLOAT - stock
24	FLOAT - independent
25	PIVOT PIN
26	FLOAT NEEDLE
27	LOCK SPRING
28	FLOAT BOWL
28	FLOAT BOWL-IND
29	BOWL GASKET
30	BOWL CLIP
31	CLAMP
32	BOLT
33	NUT
34	TICKLER
35	SPRING
36	PIN
37	CHOKE
38	SPRING
39	PISTON
40	BUSHING
41	SPRING
42	INSERT
46	PISTON
47	SPRING
48	INSERT
49	BOOT
50	START LEVER
51	SCREW
52	WASHER
53	NUT
54	VENT TUBE
55	BUSHING
	FLOAT NEEDLE SEAT
	ALCOHOL PROOF FLOAT KIT