

**ROTAX**

SERVICE INFORMATION

2 M 85/E

1985 01 29

Motorcycle engine type 244 GS/MC-LC with exhaust valve cylinder

ROTARY VALVE ADJUSTMENT

1) Rotary valve data and timing:

1.1. Rotary valve, part no. 224 107, with asymmetrical cut-off section

1.2. Rotary valve timing:

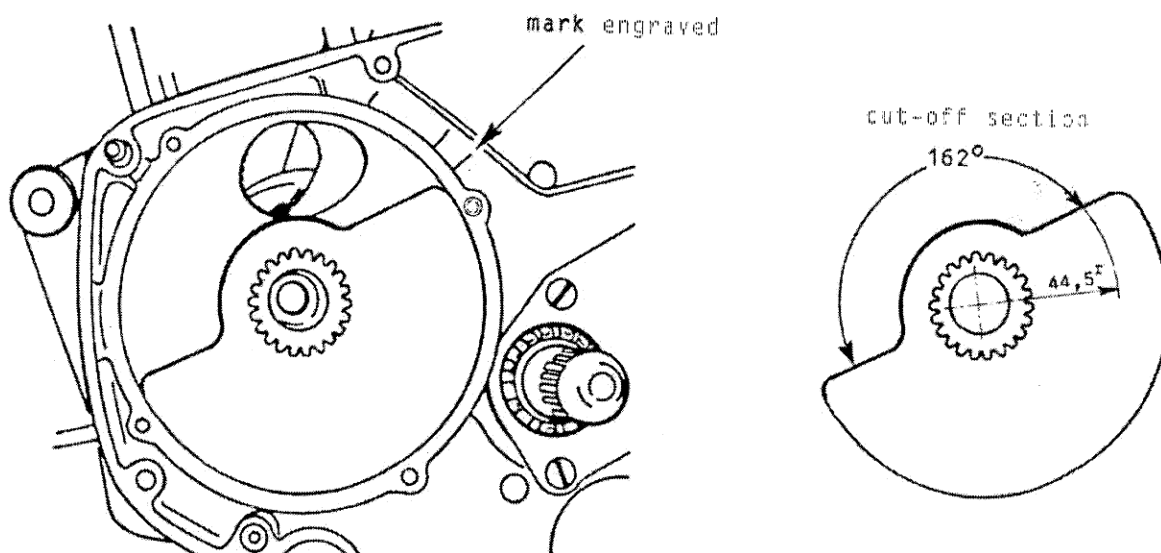
opening at 142° before top dead centre
closing at 75° after top dead centre

2) Fitting of rotary valve:

For correct fitting of this rotary valve proceed as follows:

- Put piston to top dead centre.
- Place rotary valve on the splines of rotary valve hub so that the edge that would not pass through the centre corresponds with the mark engraved on the crankcase (between the mark cast in the crankcase and the threaded bore M5).

Please mind that the rotary valve is not symmetrical and therefore cannot be turned.



BOMBARDIER-ROTAX
GESELLSCHAFT M. B. H. MOTORENFABRIK

A-4623 GUNSKIRCHEN — AUSTRIA
Telefon: (0 72 46) 271-0*, Telefax: (0 72 46) 271286
Telex: 25548 brgk a, Telegr.: Bombrotax Gunskirchen



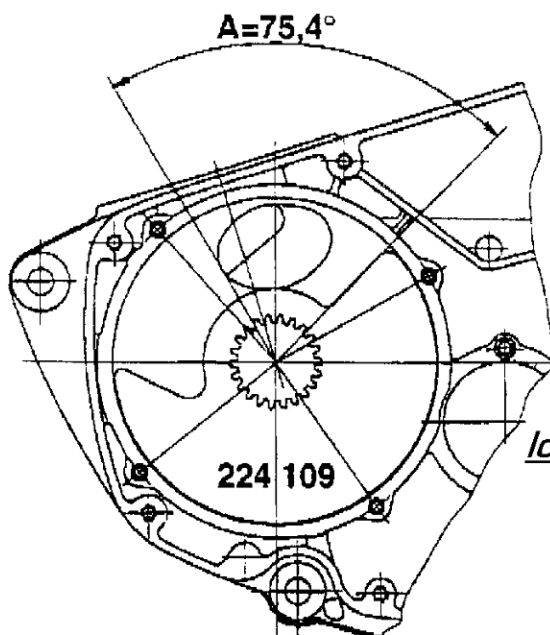
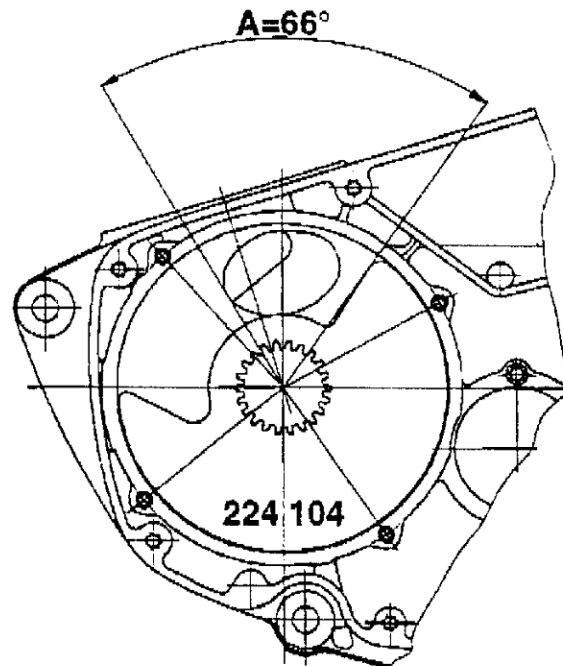
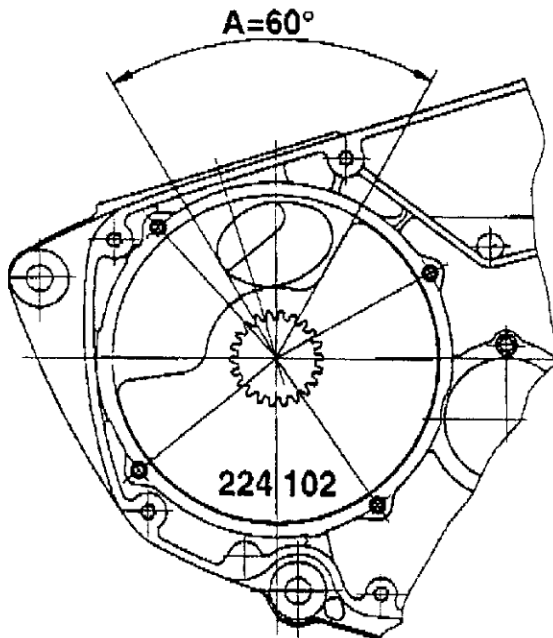
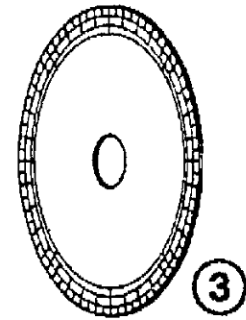
ROTAX

Service Information

3M 94 DE

APRIL 1994

*Diagram to show correct location of
disc valves.
Please check the shape of valve you have.*



*Check which of the valves
you have*

*The crankshaft is to be set and
locked using the TDC locking bolt at TDC*

*Peter Knight PowerSport
tel 0176 141 4106
fax 0176 141 4107
rotax257@aol.com
www.rotax.co.uk*